

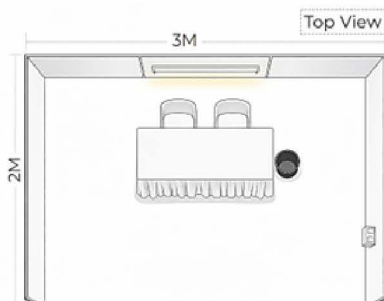
COSAFS2026 EXHIBITION

Exhibition Registration & Exhibitor Guidelines



KEY INFORMATION

Fee	: RM 2,000 per booth
Booth Size	: 2 m × 3 m
Exhibition Dates	: 3 rd – 5 th August 2026
Registration Deadline	: 1 July 2026
Availability	: Limited to 12 booths (first come, first served)



BOOTH PACKAGE INCLUDES

- ✓ Rear dividing wall partition (2.5 m high, white panel)
- ✓ 1 LED fluorescent lamp
- ✓ 1 banquet table (2' × 4') with skirting
- ✓ 2 plastic chairs
- ✓ 1 fascia name board
- ✓ 1 waste basket
- ✓ 1 × 13-amp power socket

WHY EXHIBIT AT COSAFS2026?

- Engage with experts in sustainable agriculture and food security
- Showcase your products, technologies, and innovations
- Build collaborations with academia, industry, and policymakers
- Increase visibility within the regional agriculture ecosystem

SETUP AND DISMANTLE SCHEDULE

Setup	: 2 nd August 2026 5:00 PM – 10:00 PM
Dismantle	: 5 th August 2026 10:30 AM – 11:30 AM
Venue	: Foyer Area

*All items must be removed within the dismantle timeframe

EXHIBITOR GUIDELINES

- Maximum of 2 persons per booth at any time
- Exhibitors are responsible for their own belongings
- Organizer and venue are not liable for any loss or damage
- Bring your own posters, materials, and mounting tools
- All exhibitors must wear official lanyards
- Booths must be operational by 8:00 AM on 3 August 2026

REGISTRATION & LANYARD COLLECTION

Collection Date	: 3 rd August 2026
Time	: 7:00 AM – 8:00 AM
Location	: Registration Counter

*All items must be cleared by 10:30 – 11:30 AM on 5th August 2026

Program details : <https://cosafs2026.upm.edu.my>

CONTACT

Dr. Nuratika Tamimi Sheikh Mohamed
Phone : 011-23425867
Email : tamimi@upm.edu.my

Dr. Rohaizahtulamni Binti Radzlan
Phone : 013-222 7412
Email : rohaizahtulamni@upm.edu.my



Scan QR code
to register

Limited slots
available - secure
your booth early!